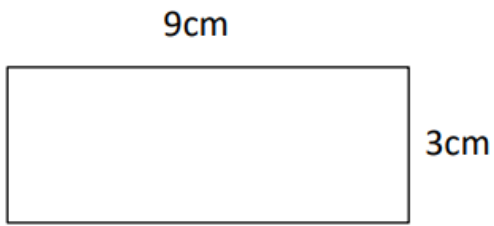


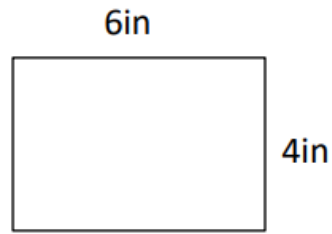
Work out the perimeter of the following rectangles. They are not to scale.

1)



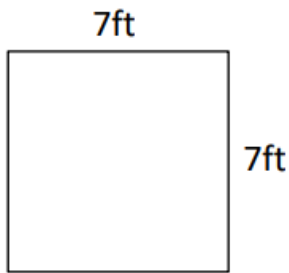
Perimeter = _____ cm

2)

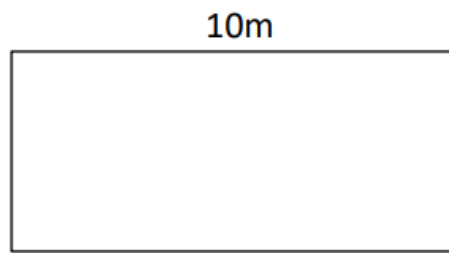


Perimeter = _____ in

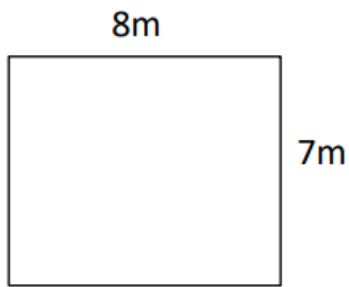
3)



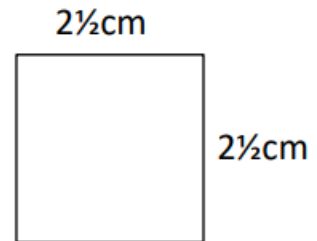
4)



5)




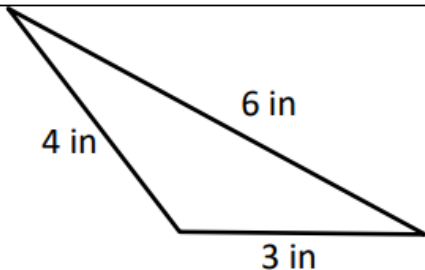
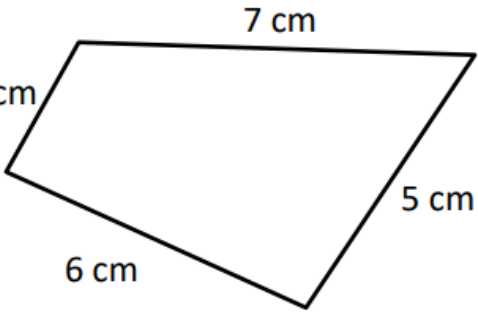
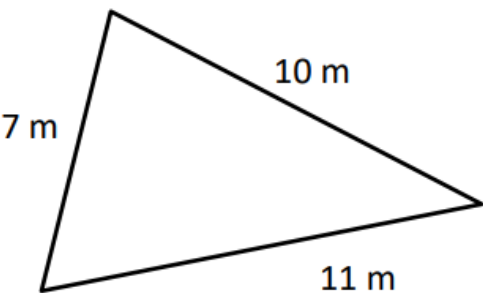
6)

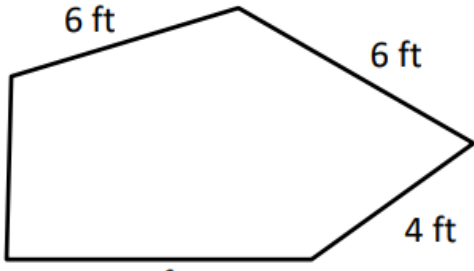



Perimeter = _____ m

Perimeter = _____ cm

(Questions continued below)

<p>1)</p>  <p>Perimeter = _____ cm</p>	<p>2)</p>  <p>Perimeter = _____ in</p>
<p>3)</p>  <p>Perimeter = _____ cm</p>	<p>4)</p>  <p>Perimeter = _____ m</p>

<p>5)</p>  <p>Perimeter = _____ ft</p>	<p>6)</p>  <p>Perimeter = _____ cm</p>
---	--

